

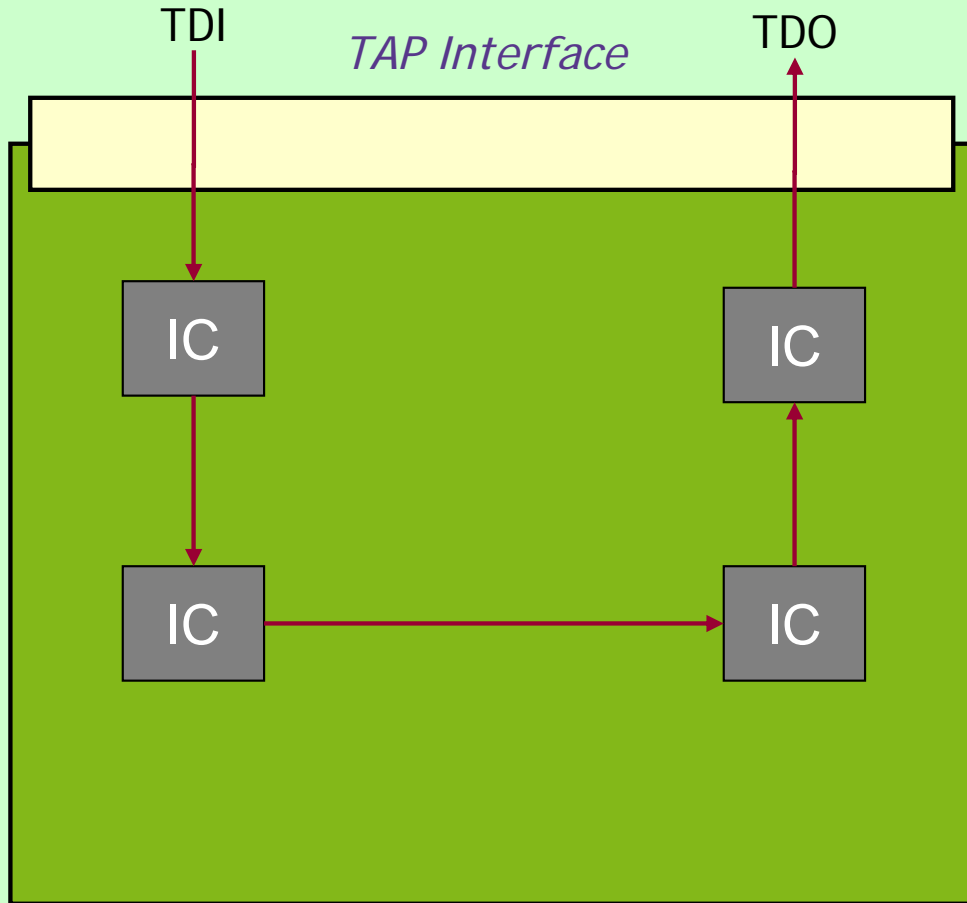
The logo features the letters 'SJTAG' in a bold, yellow, sans-serif font. These letters are superimposed on a complex, silver-colored maze that fills the central area. The maze consists of multiple interconnected paths and dead ends, creating a challenging visual. The entire design is set against a dark gray, oval-shaped background that has a subtle gradient and a slight shadow effect, making it stand out against the white background of the page.

SJTAG

The System JTAG Initiative Group

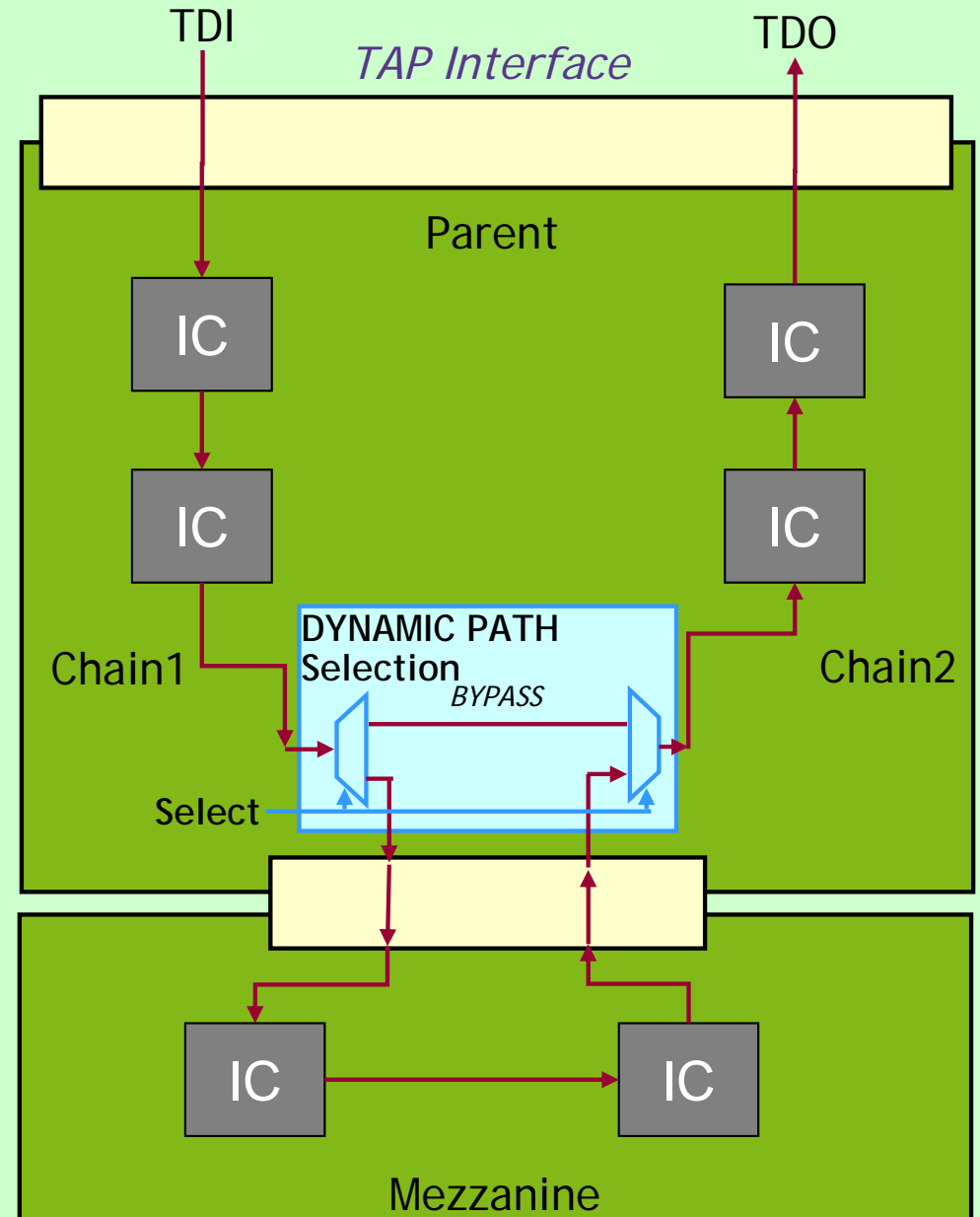
<http://www.sjtag.org/>

Static Path

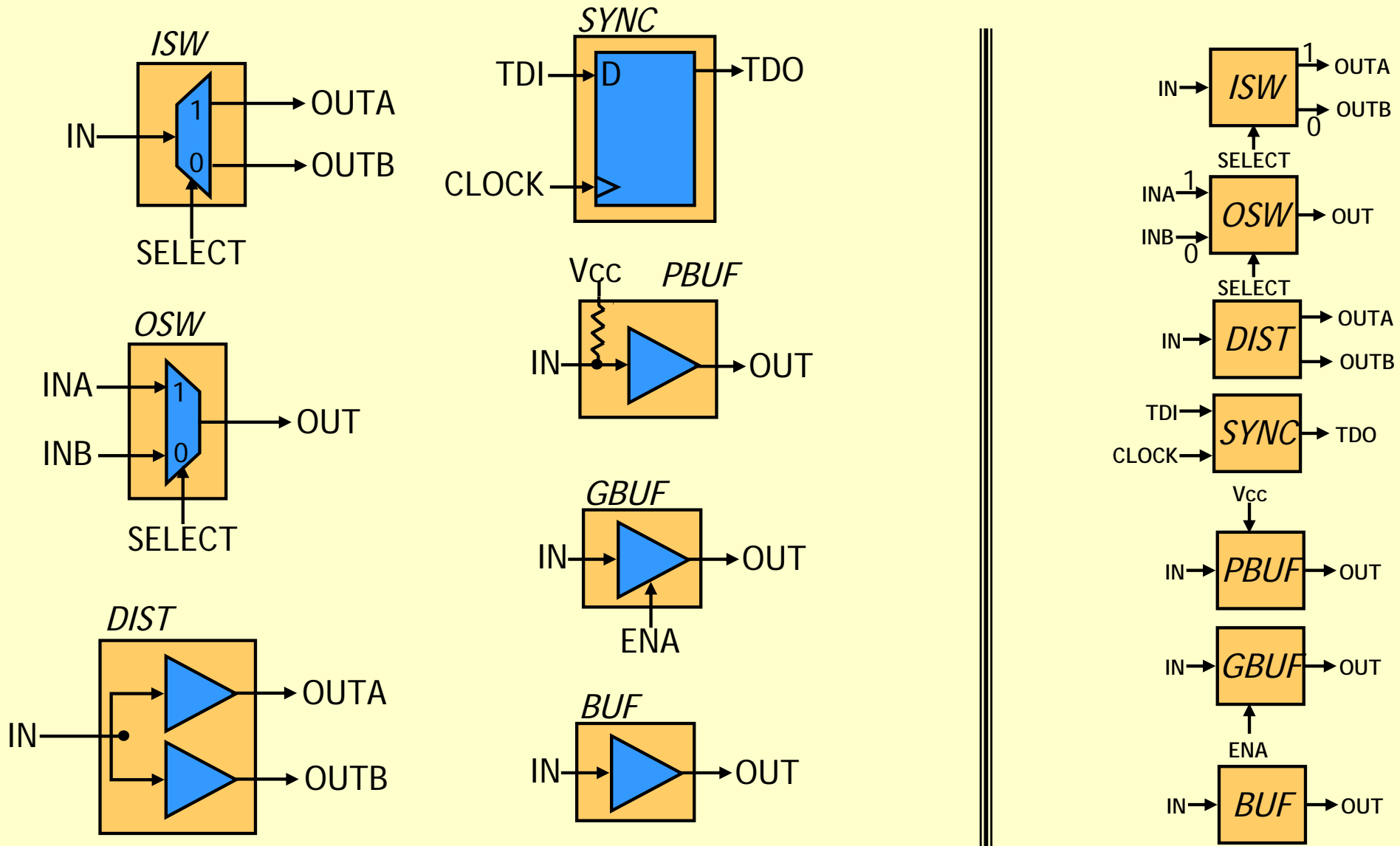


→ Test Data Flow

Dynamic Path



Path Selection Primitives

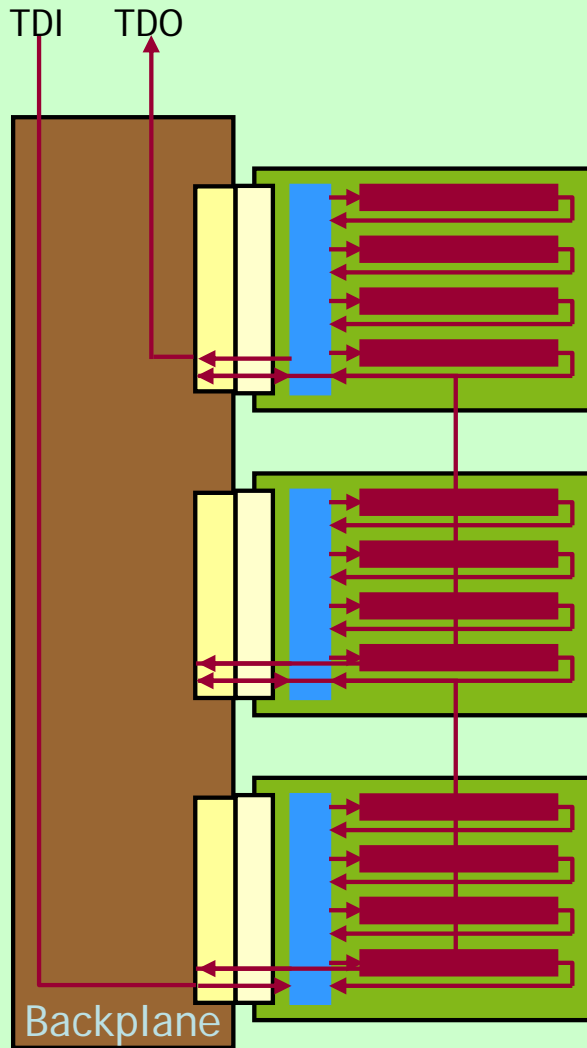


Have you ever...

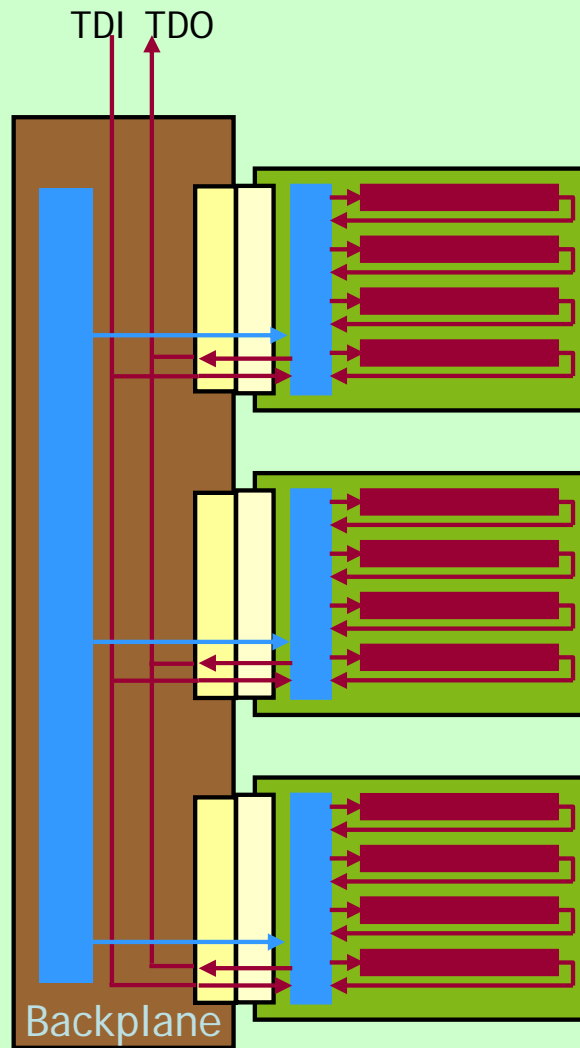
... tried to use BSCAN at the system-level and found that:

- *It was hard to decide on a good scan chain architecture?*
- *The scan chain management devices caused problems with your tools?*
- *Your board-level tests needed a lot of re-work to get them running in the system?*

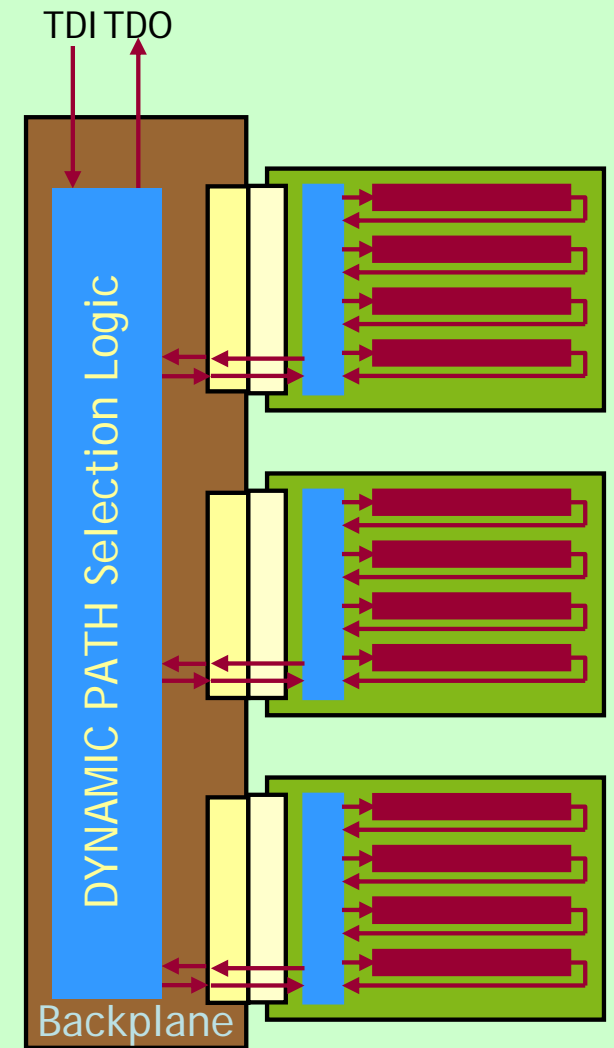
RING/SERIAL SCAN CHAIN



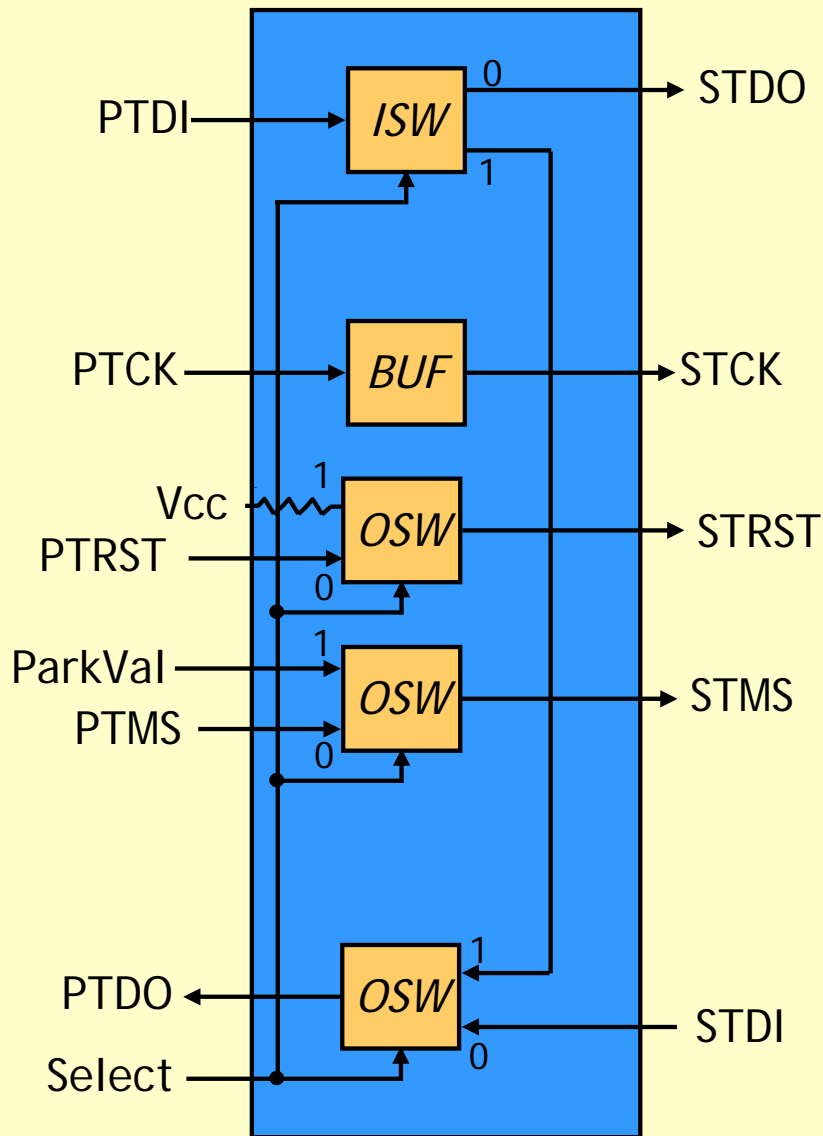
BUS SCAN CHAIN



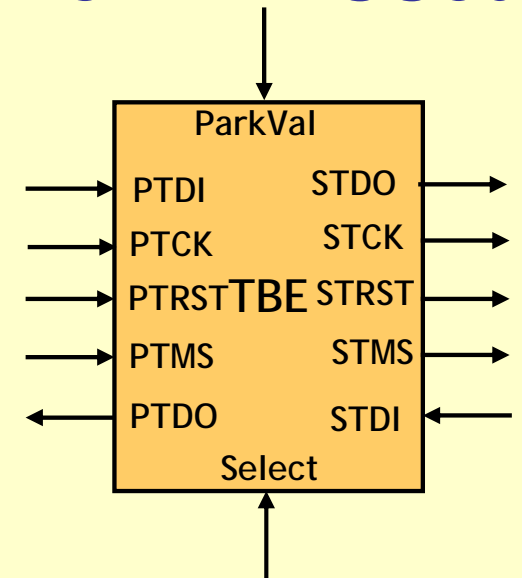
FULL STAR/FULL RADIAL SCAN CHAIN



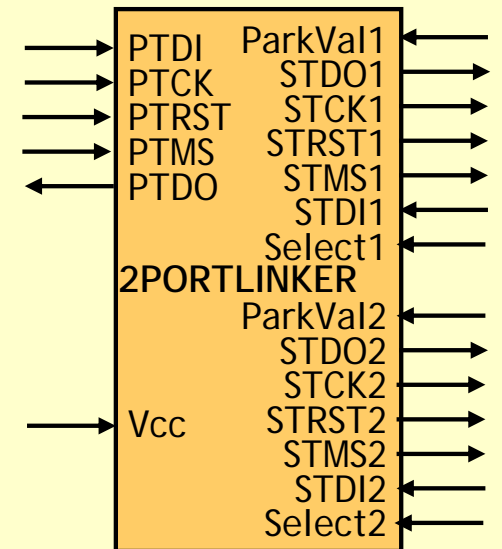
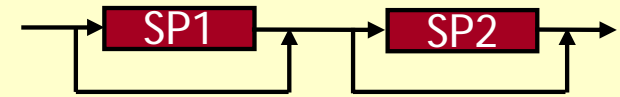
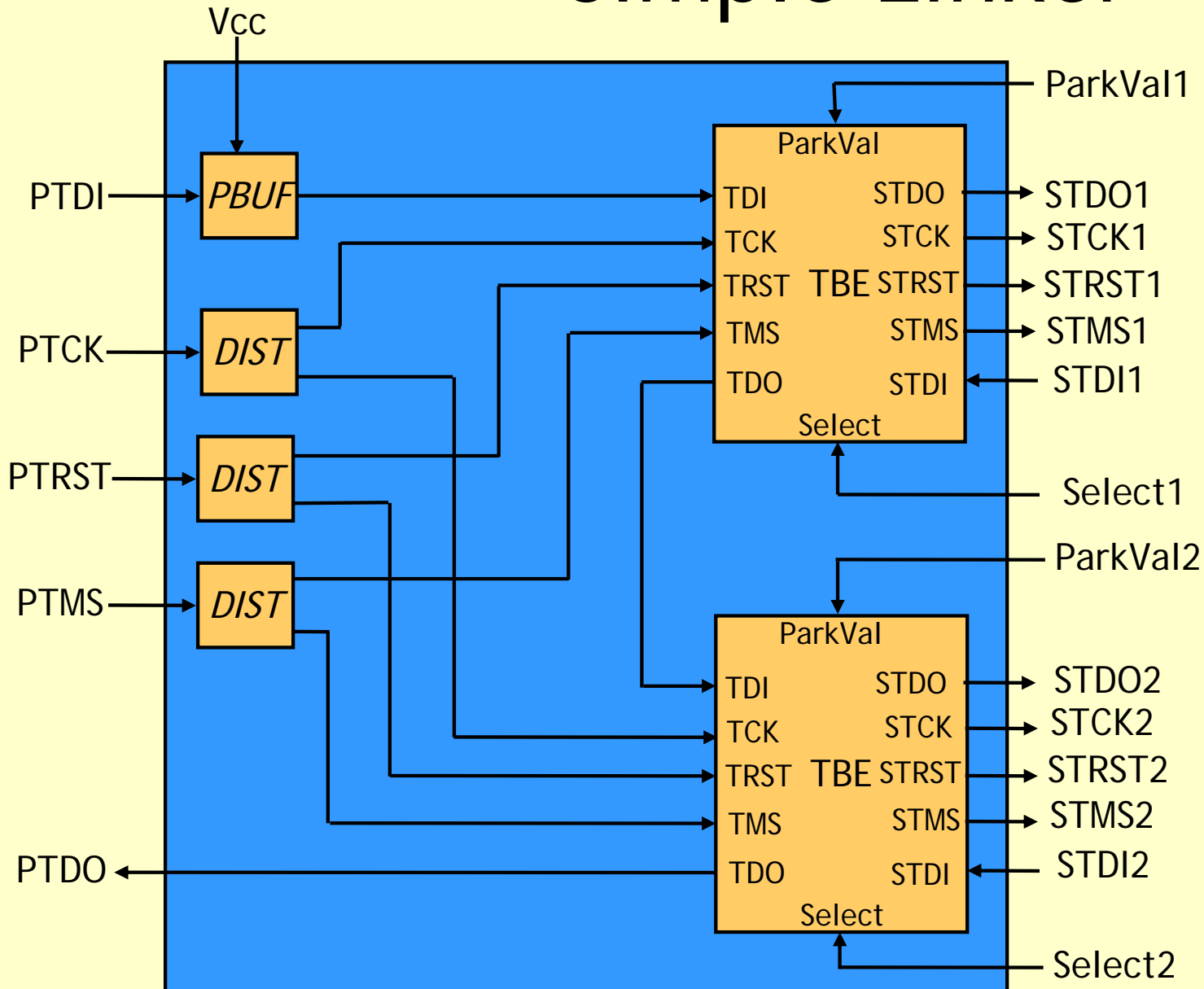
TAP Bypass Element (TBE)



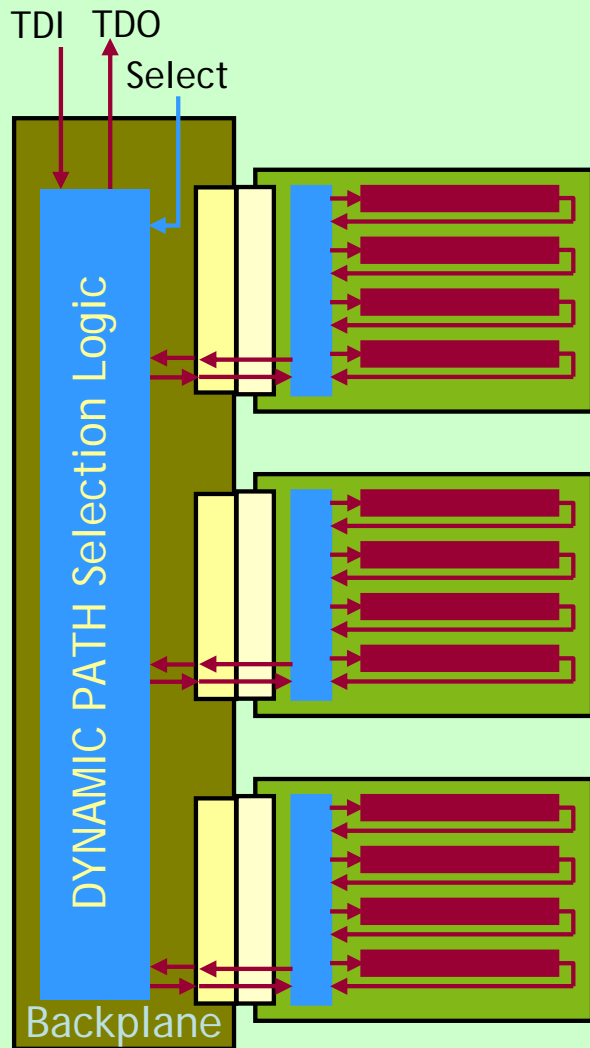
- Allows for a TAP path to be included or BYPASSed based on the value of Select
- STMS may be parked to the value of ParkVal when secondary TAP is BYPASSed



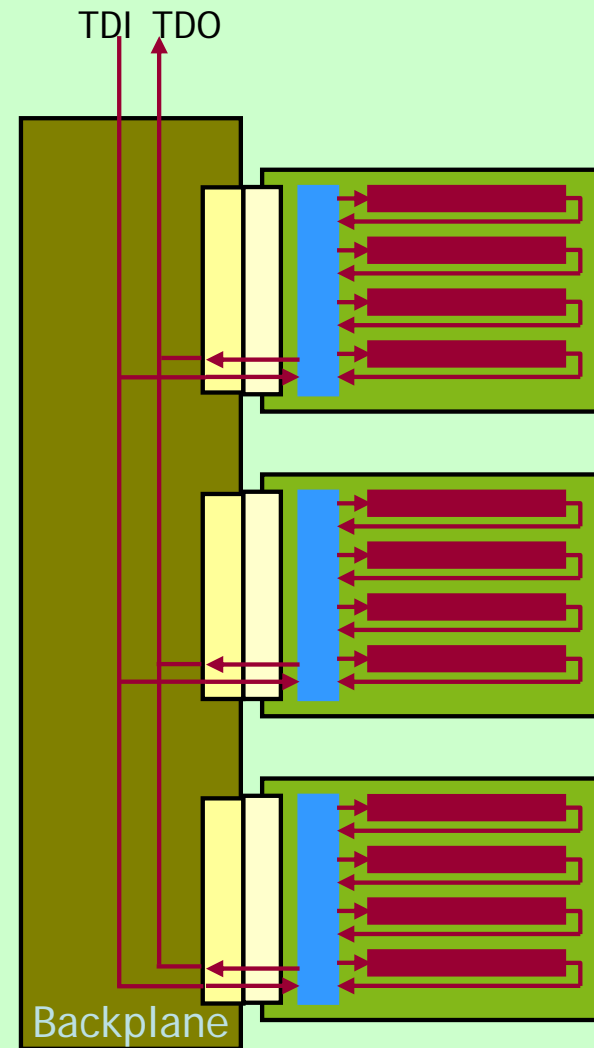
Simple Linker



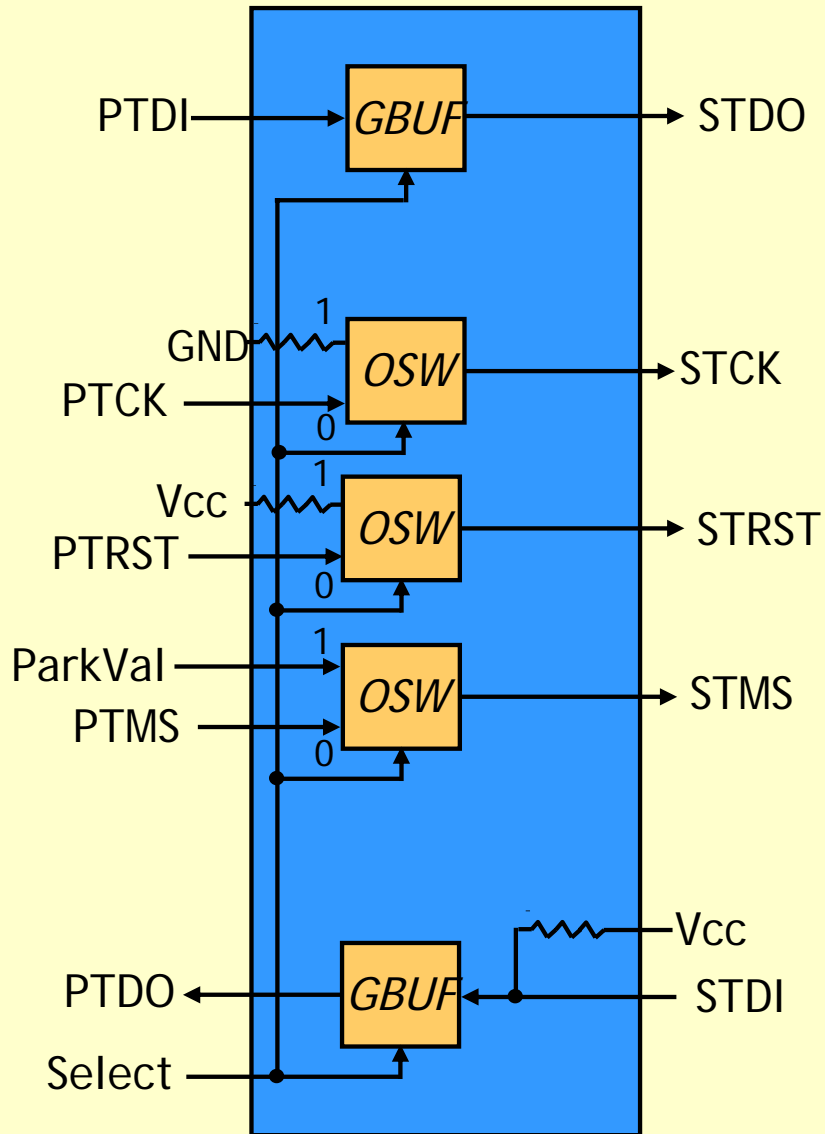
SWITCHABLE STAR/RADIAL



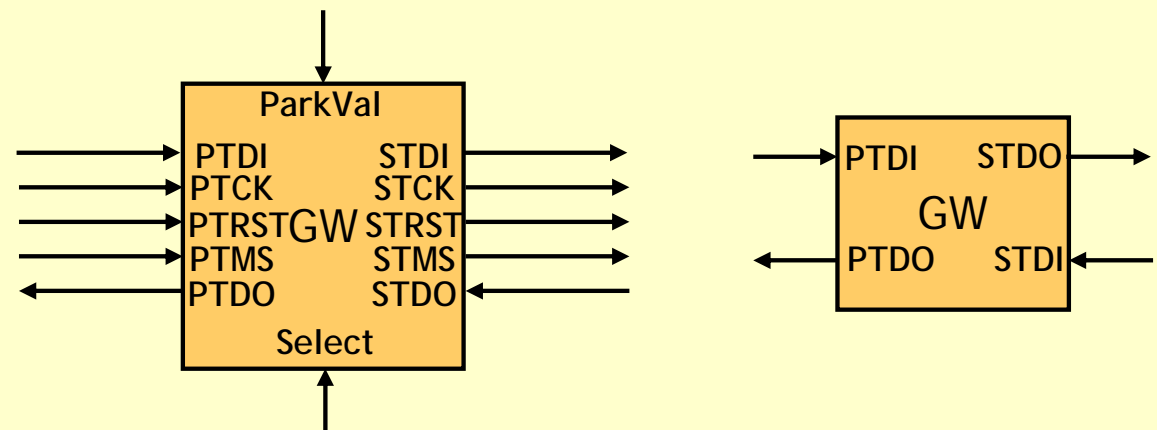
MULTI-DROP



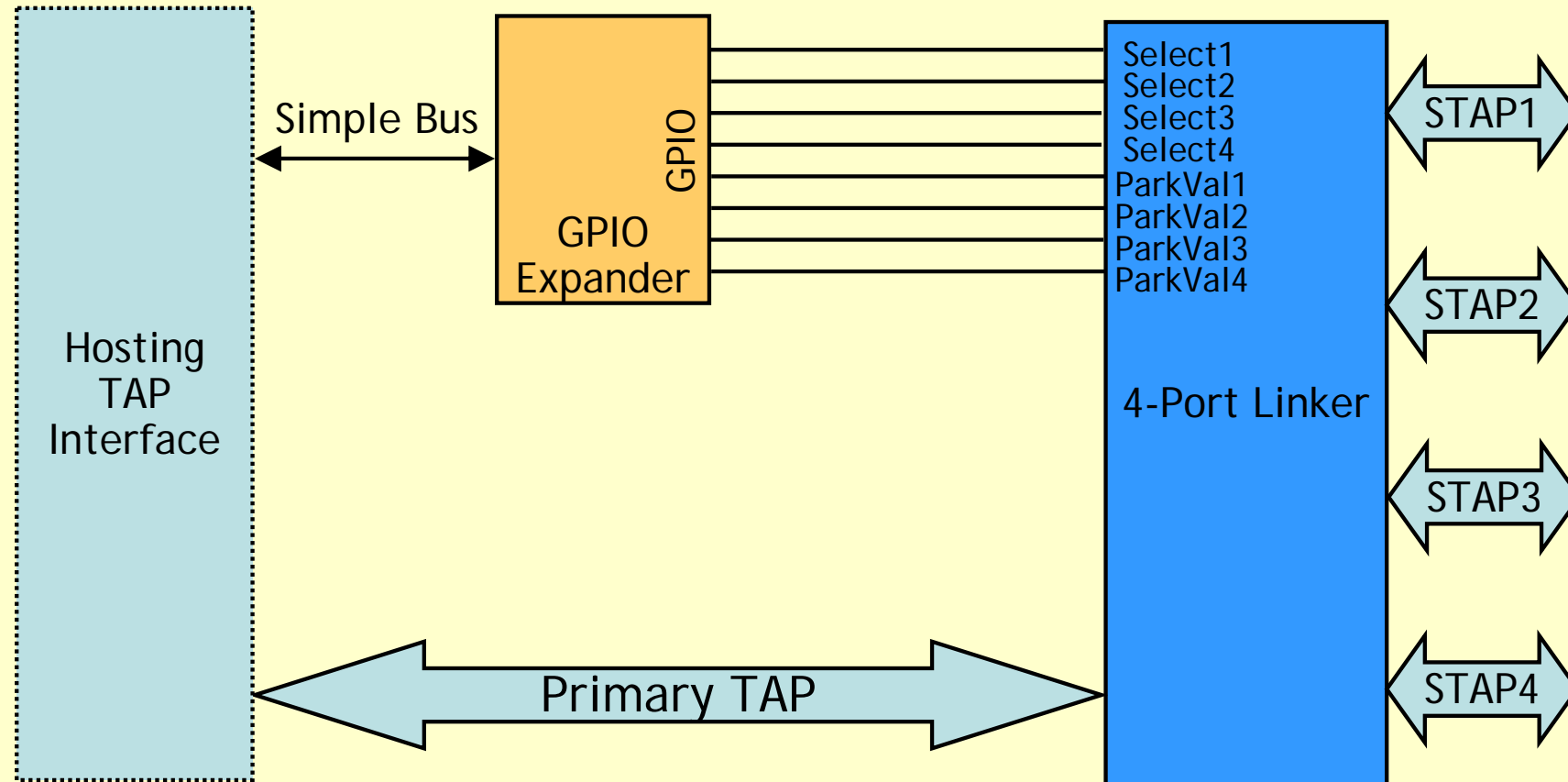
TAP Gating Element (GW)



- Used as a gateway to enable or disable a TAP from a bussed interface
- **PTCK** may not need to be gated since **STMS** will remain in a constant state when unselected/parked



GPIO controlled selection logic



- May use I2C, SPI, GPIO from a TAP Pod, or other access mechanism to automate the control of the GPIO

SJTAG Fringe Meeting

- Open Meeting - Thursday, November 4
10:00 AM – 12:00 PM
- Outline Agenda:
 - SJTAG Status
 - Unexpected results from our 2009 Survey
 - User experiences
- Meeting Room 11B
(Check with Registration Desk)