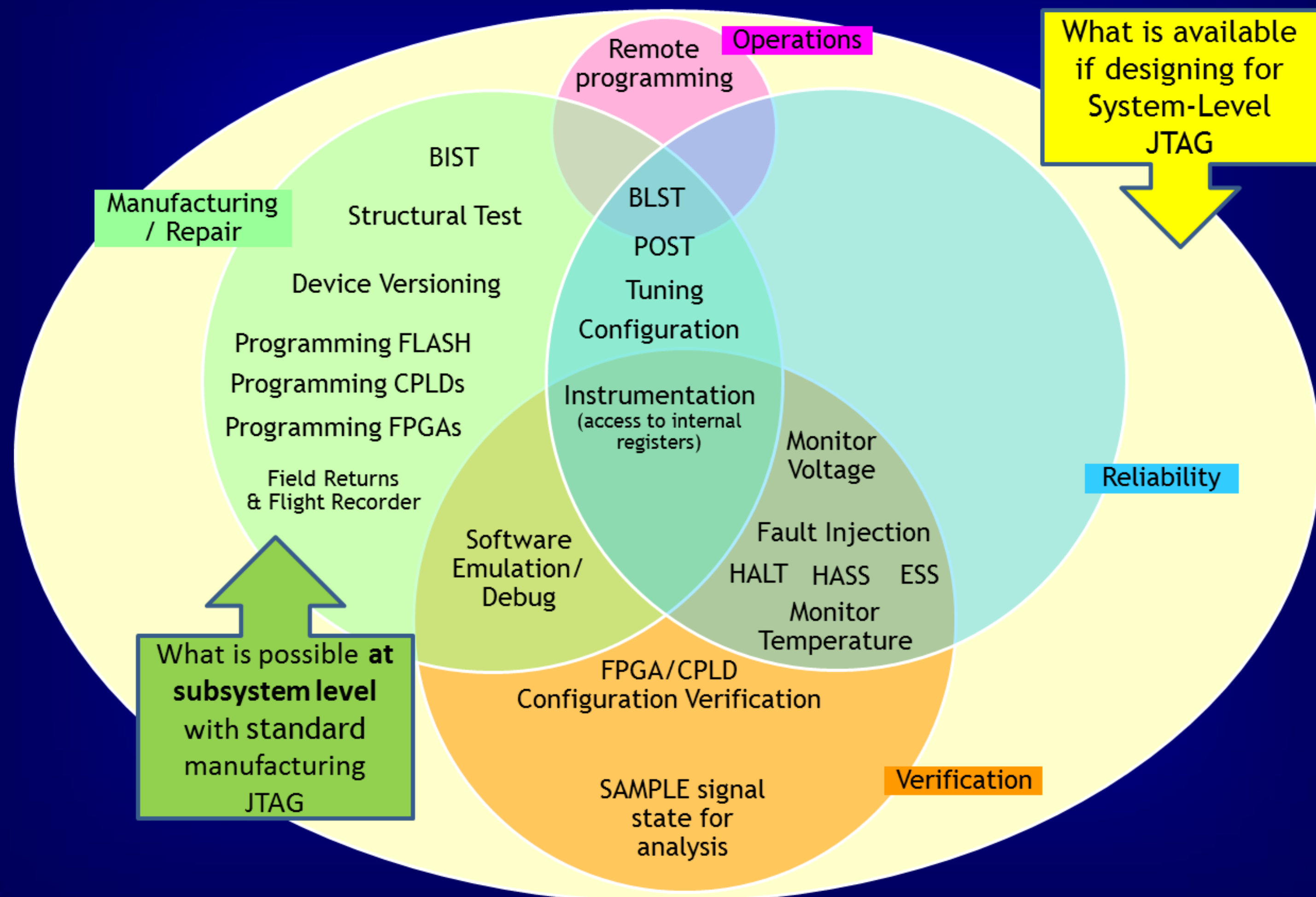




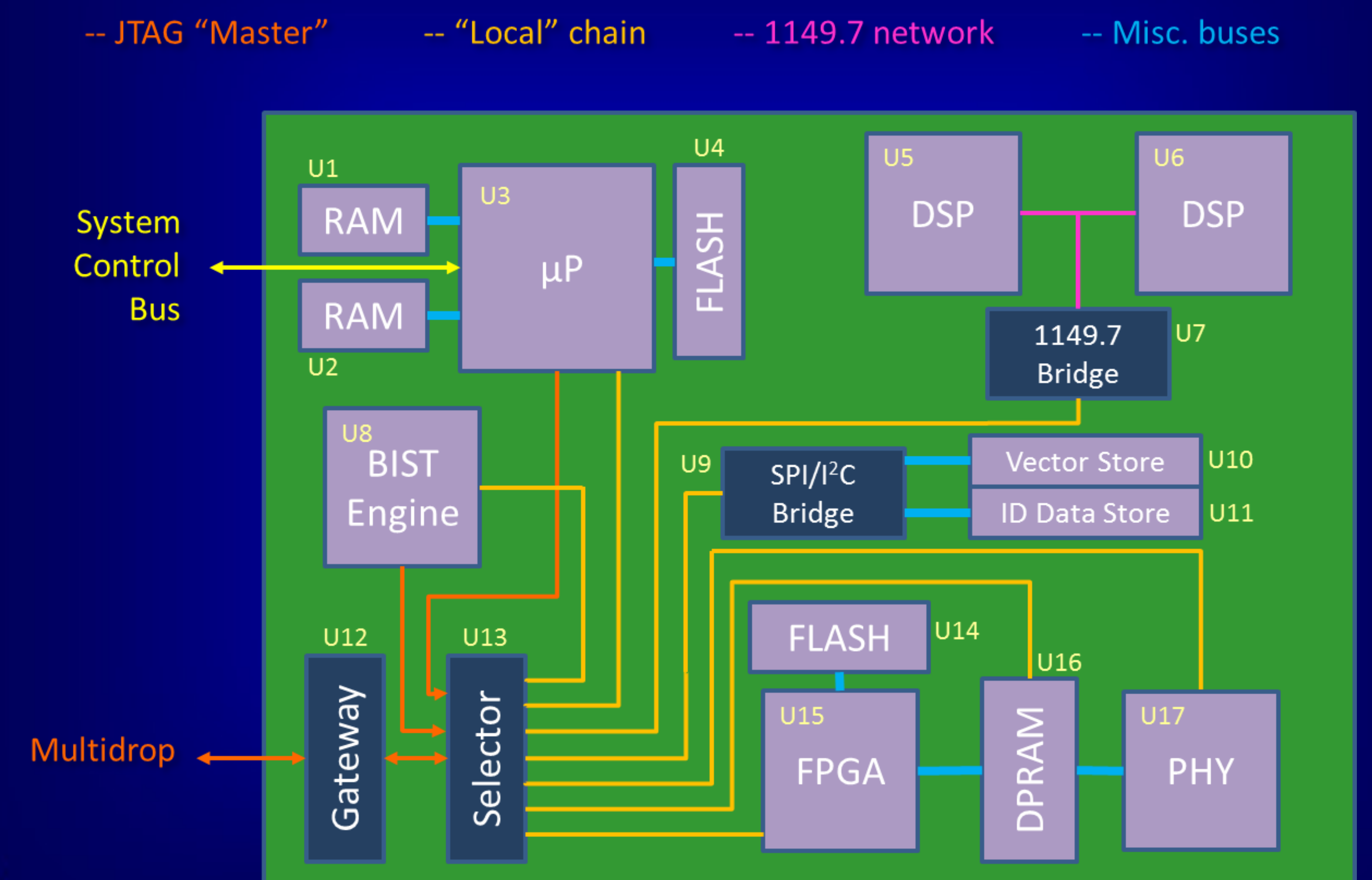
<http://www.sjtag.org/>



## SJTAG Universe



## Illustrative SJTAG Infrastructure



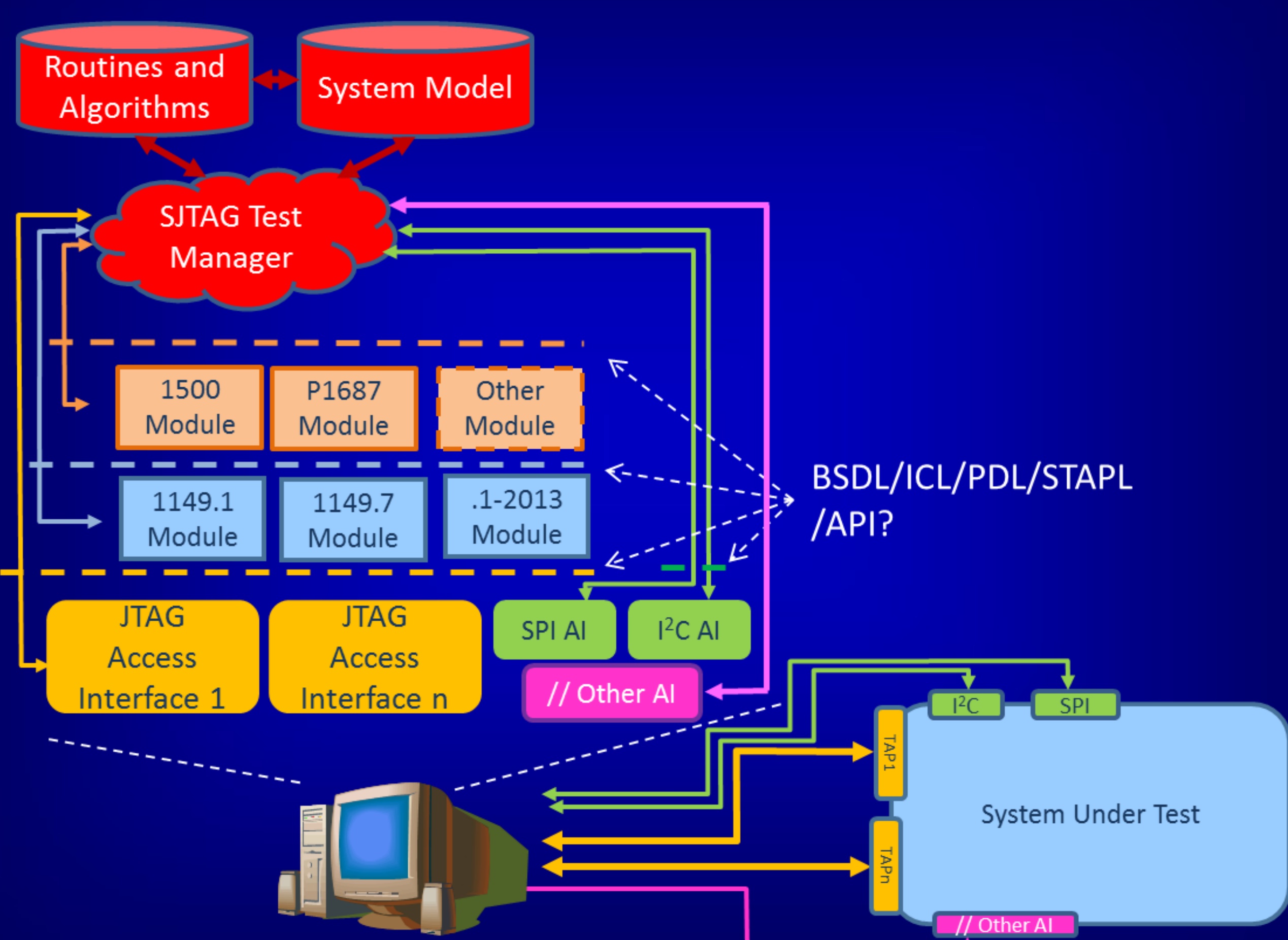
## SJTAG Goals:

- ◆ Make the "conventional" JTAG capability **ACCESSIBLE** through the system hierarchy
- ◆ To **EXTEND** the JTAG capability to use cases beyond the "conventional"
- ◆ Provide **COORDINATION** between diverse standards for Data Links and Access Links

## SJTAG Example:

- ◆ Session 14.2 "Flexible and Extendable System-level JTAG Manager"
  - Invited Talk by **Michele Portolan**, University of Grenoble Alpes, TIMA

## SJTAG Visualization



## E-MBIST Data Transfer Ecosystem

