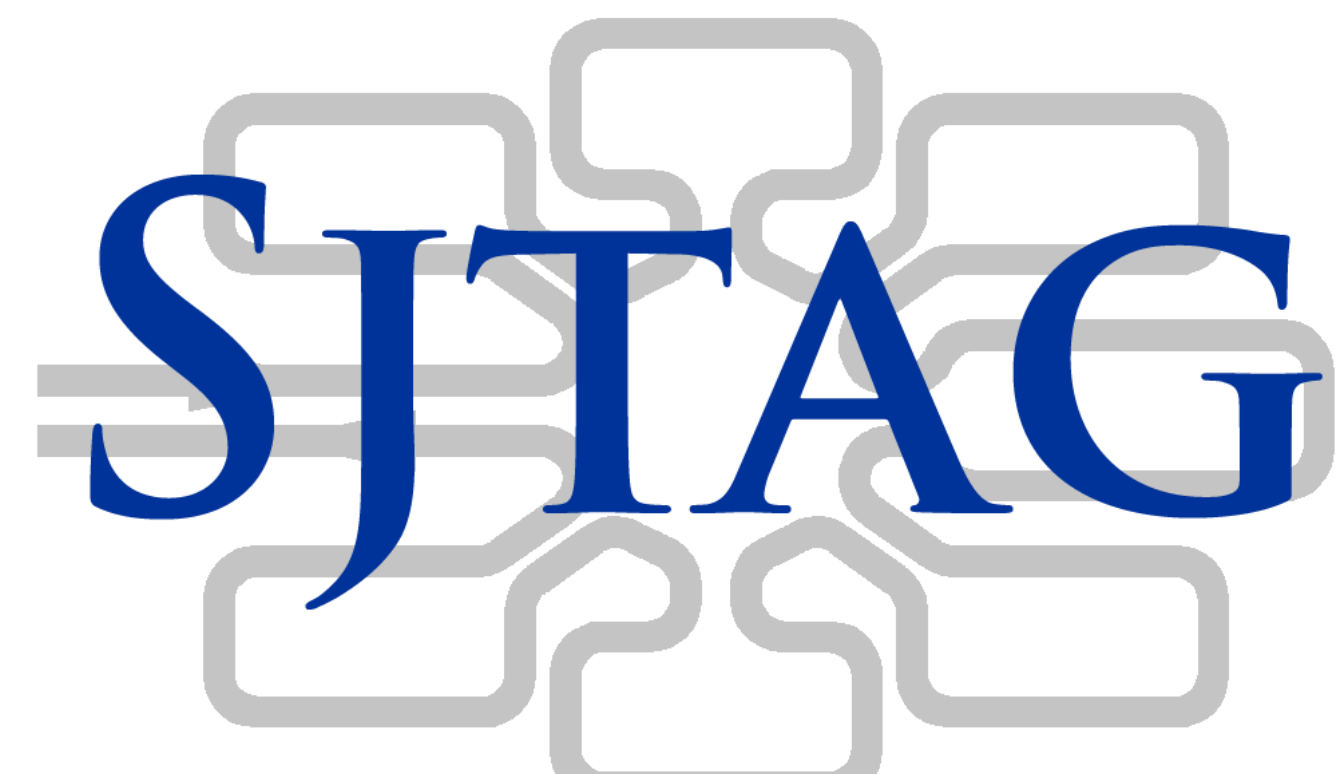
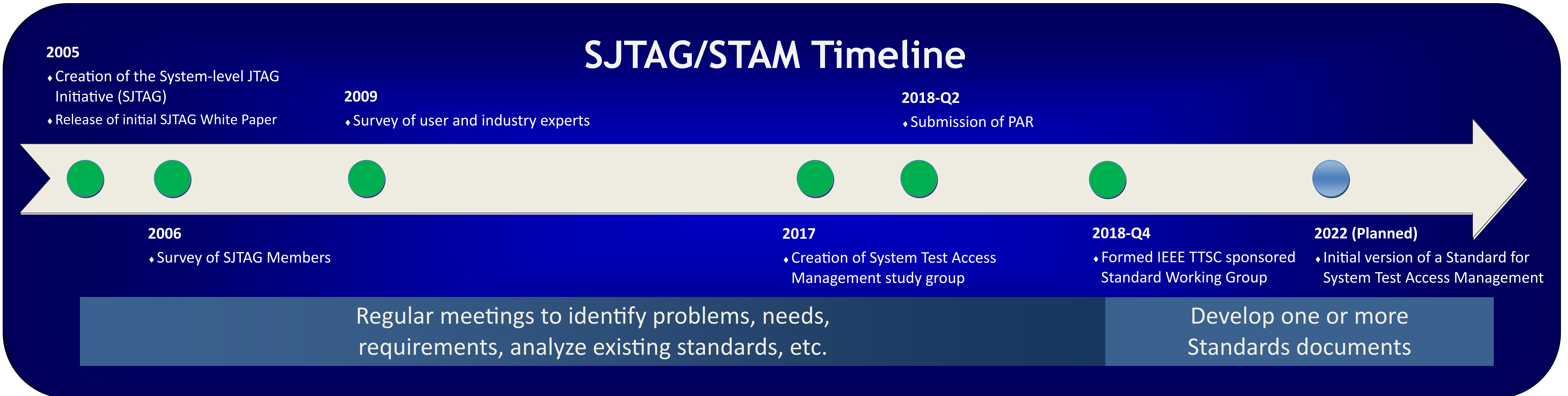
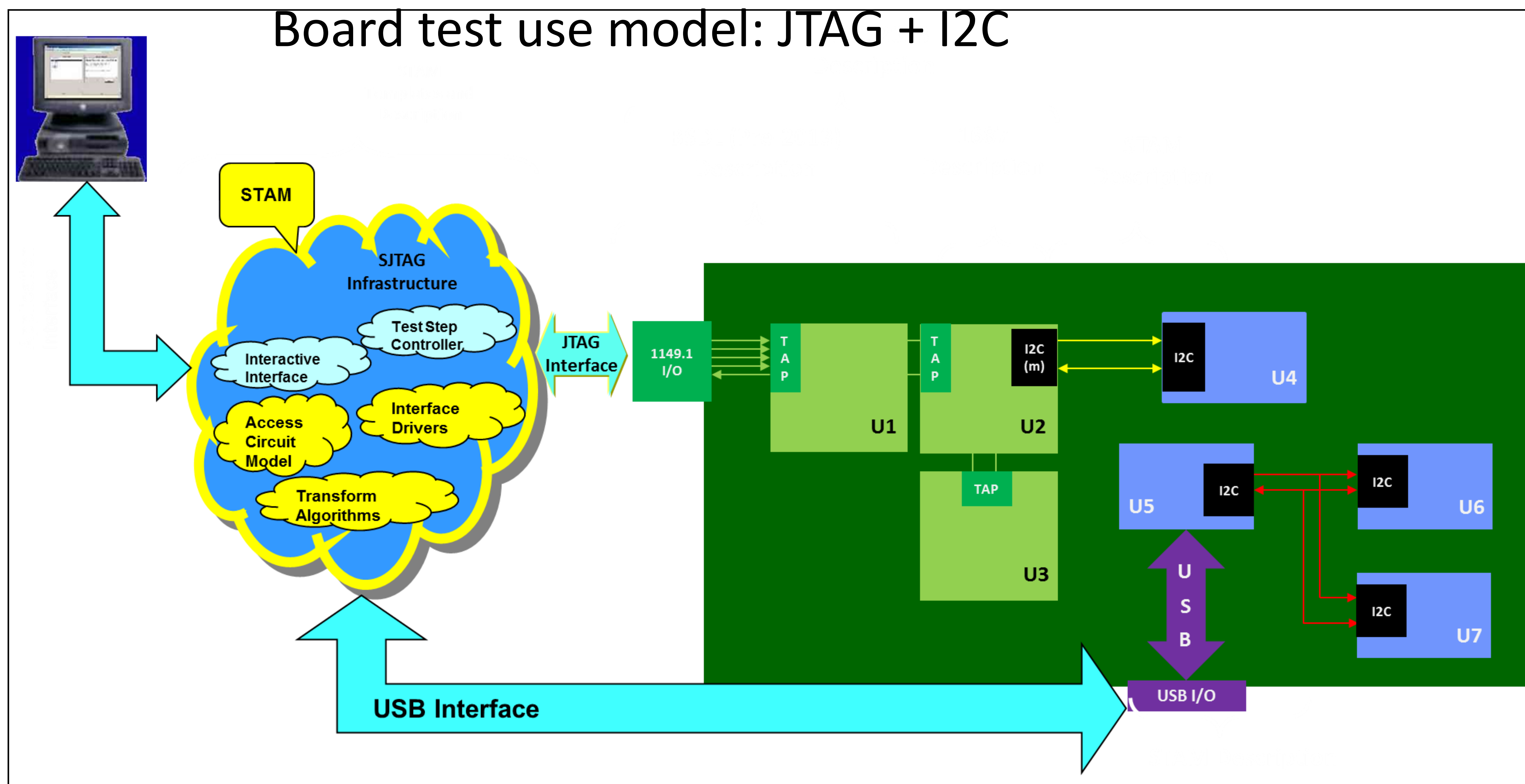
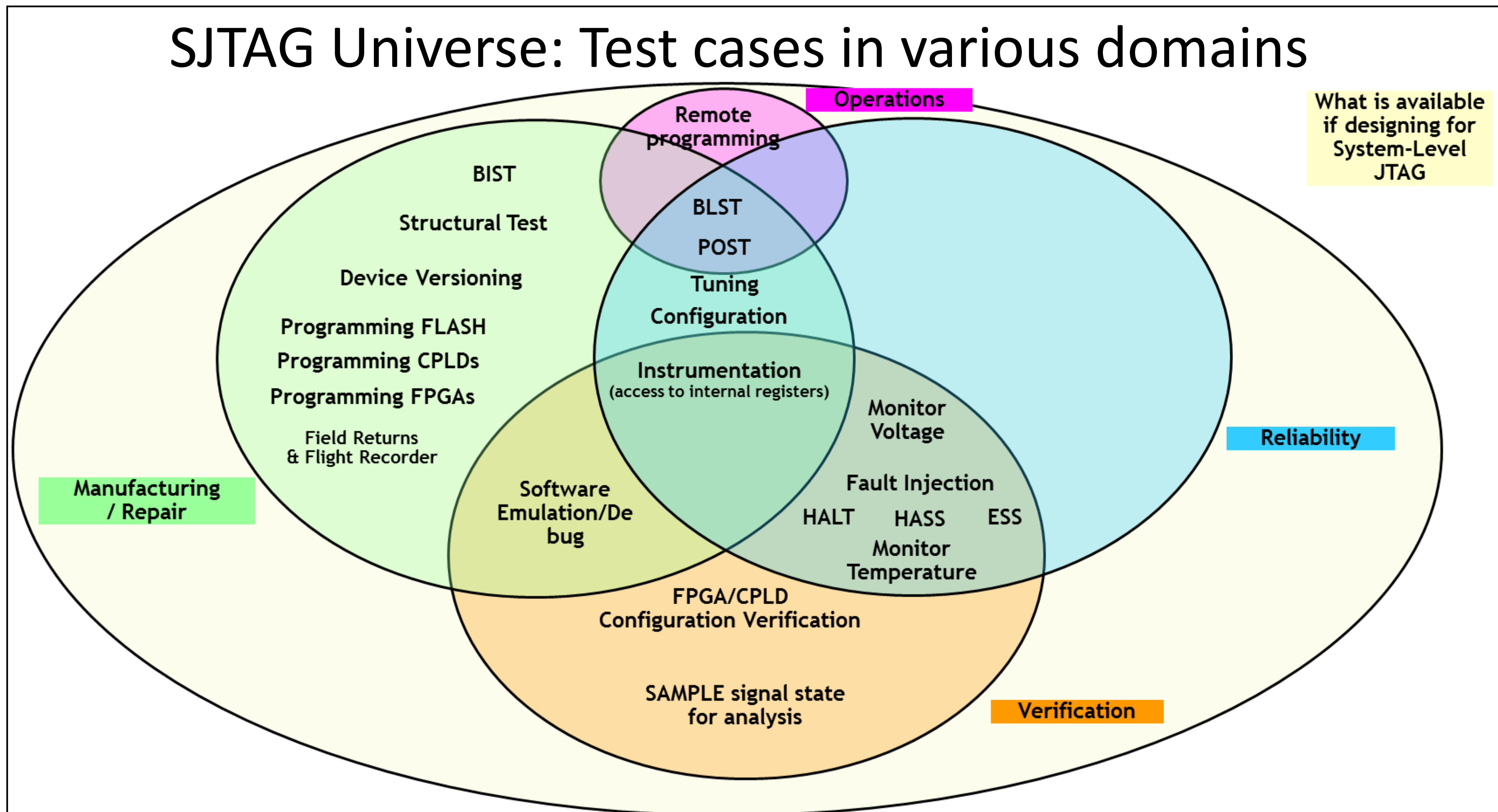


System Test Access Management (IEEE P2654 / STAM)



www.sjtag.org



- ### Participating Organisations:
- Ampere Computing ♦ Arm ♦ ASSET InterTech ♦ A.T.E. Solutions ♦ Cisco Systems ♦ Curtiss-Wright ♦ Dell ♦ DFT Solutions ♦ Firecron Ltd. ♦ GOPEL Electronics ♦ Intel Corporation ♦ INTELLITECH Inc. ♦ JTAG Technologies ♦ Leonardo ♦ Lund University ♦ Marvell Inc. ♦ National Instruments ♦ Nvidia ♦ NXP Semiconductors ♦ Schweitzer Engineering Laboratories, Inc.