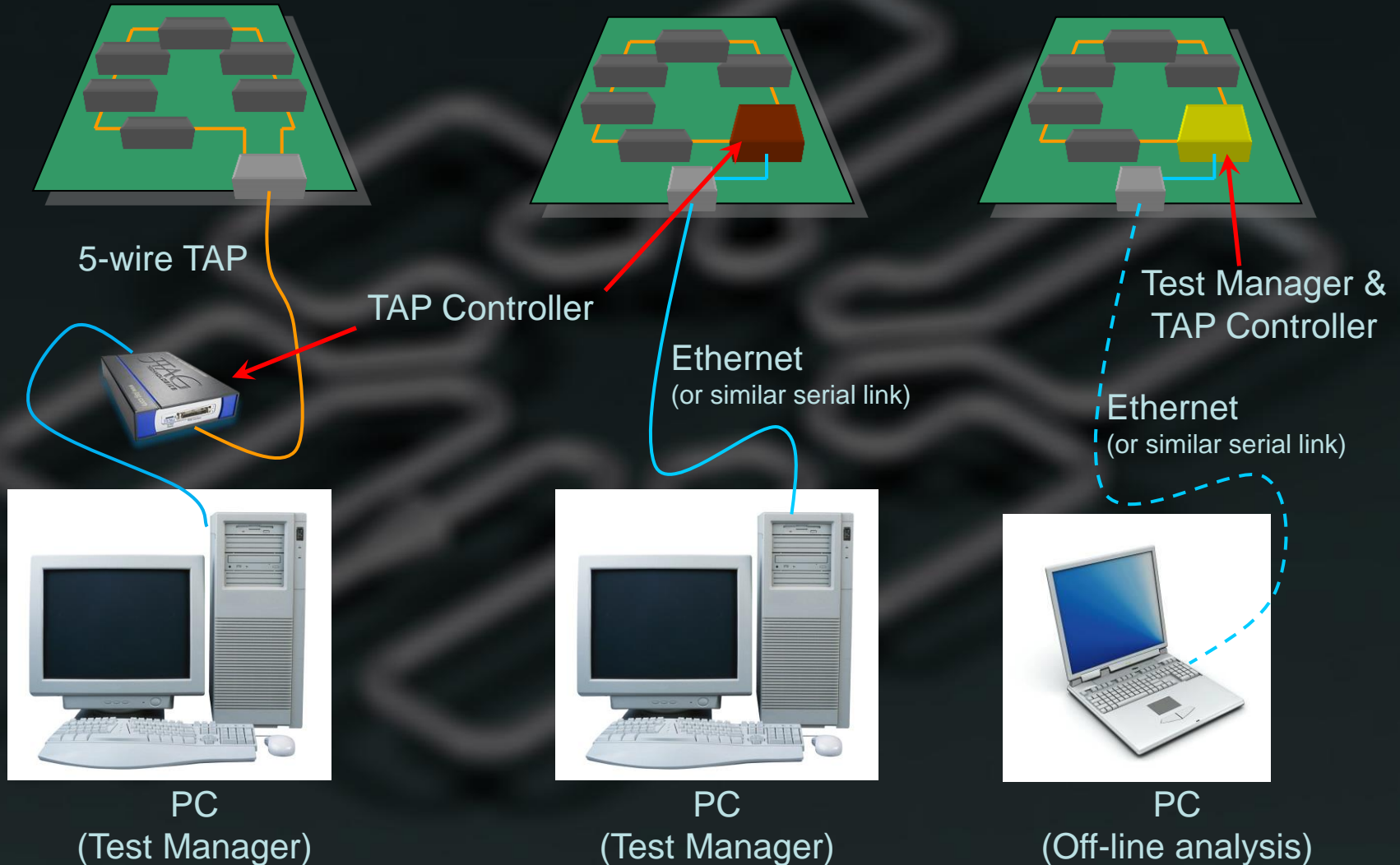


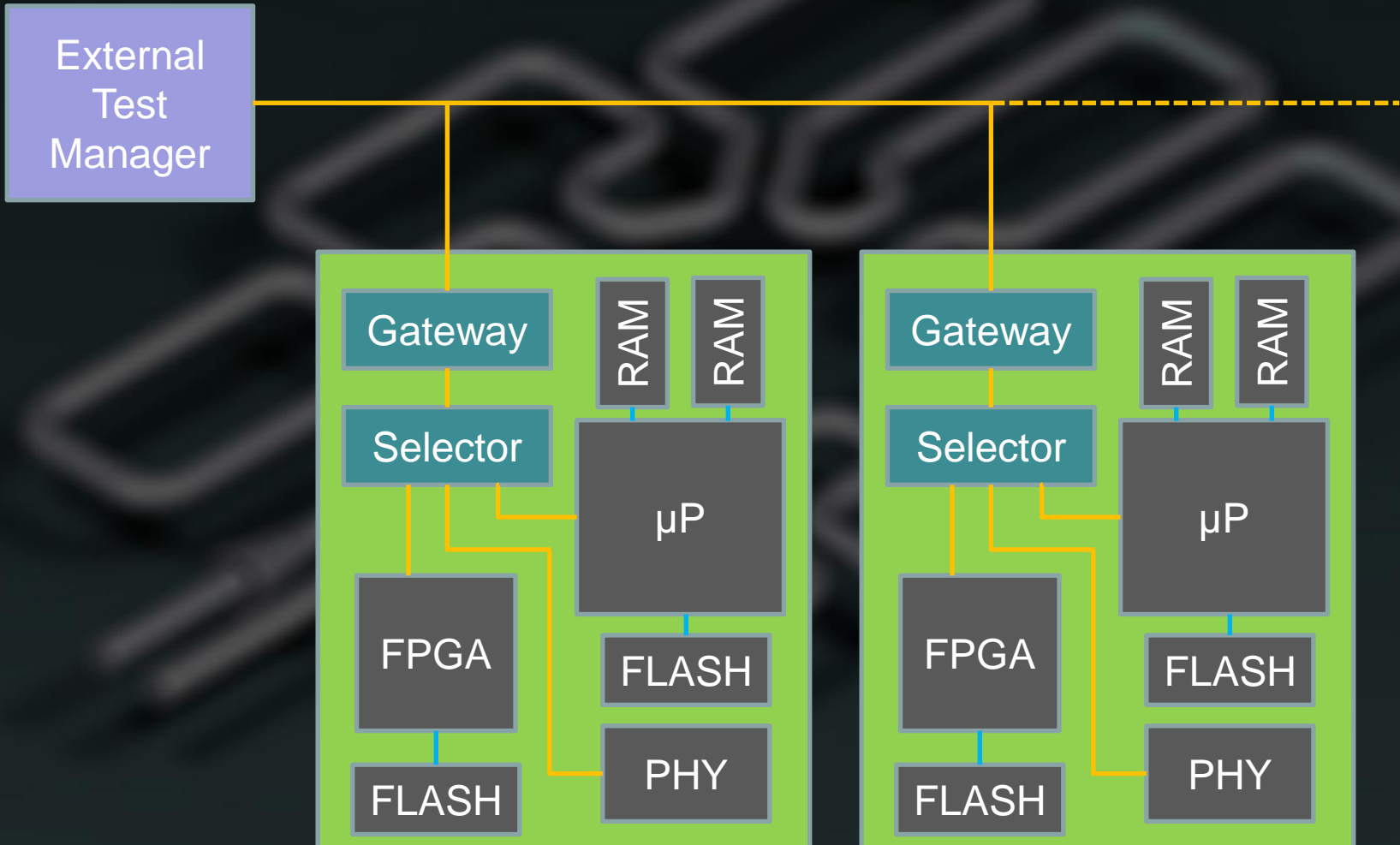
# System Examples

Some scenarios we might need to  
address

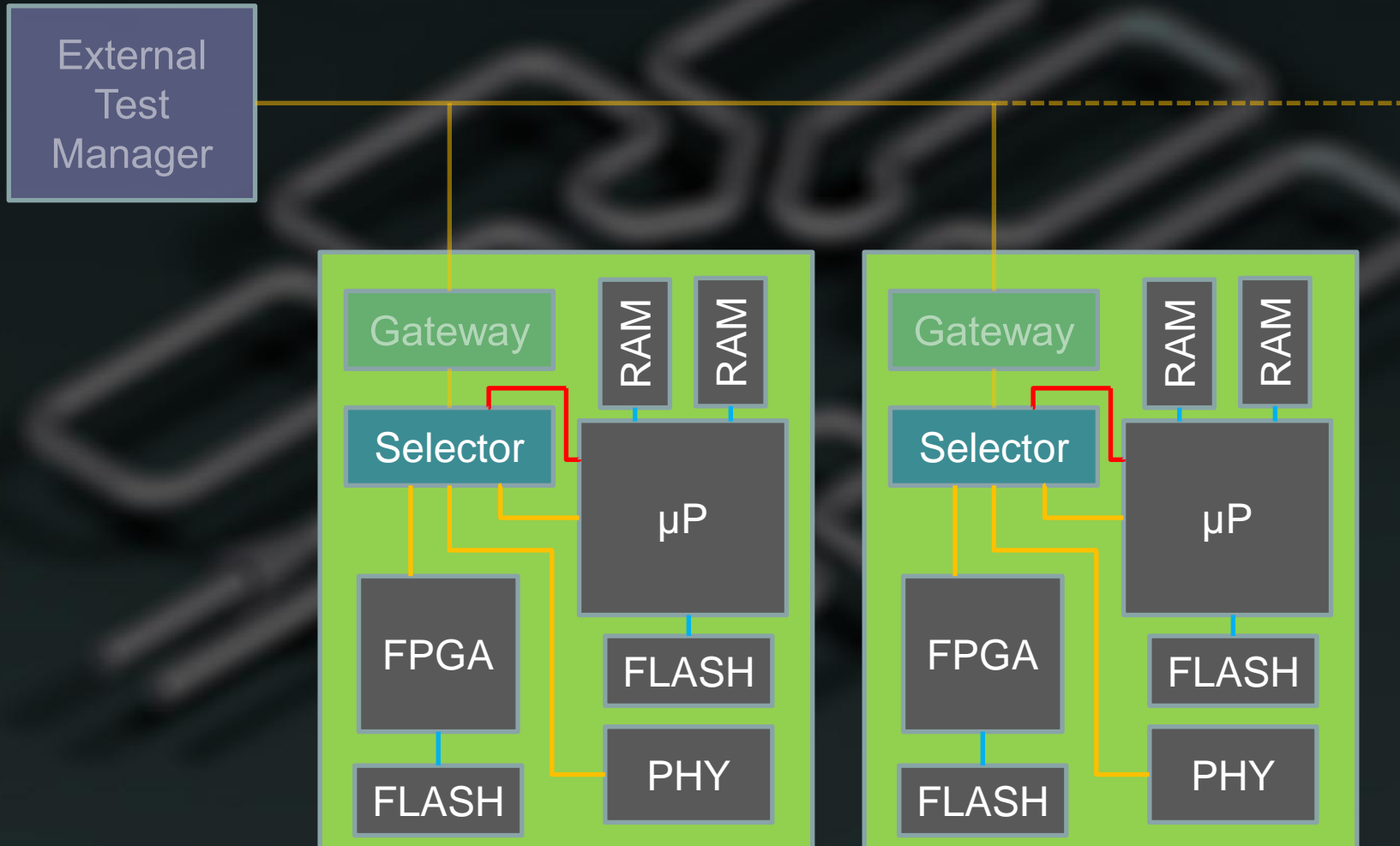
# XBST vs EBST



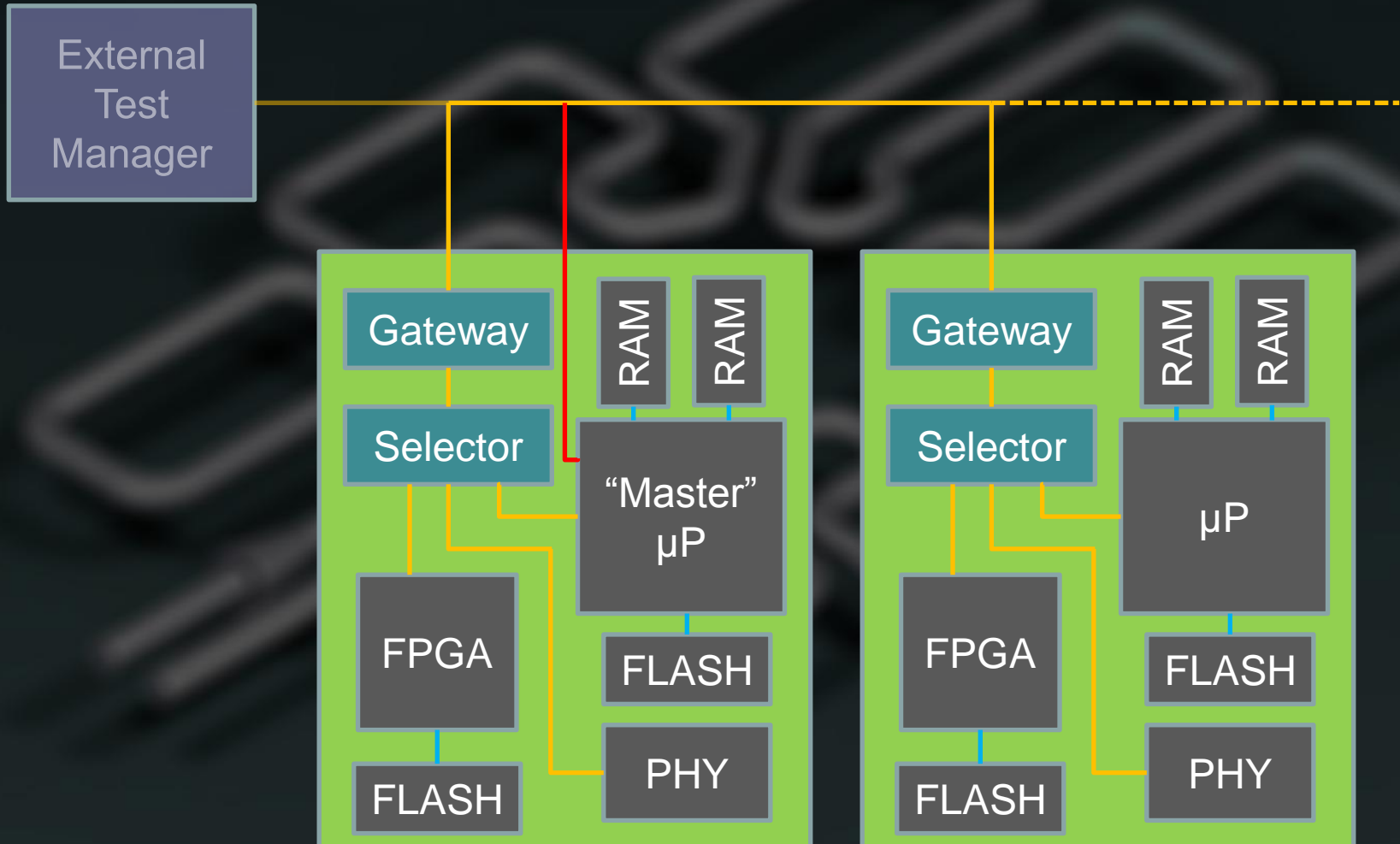
# “Classic” Multidrop (XBST)



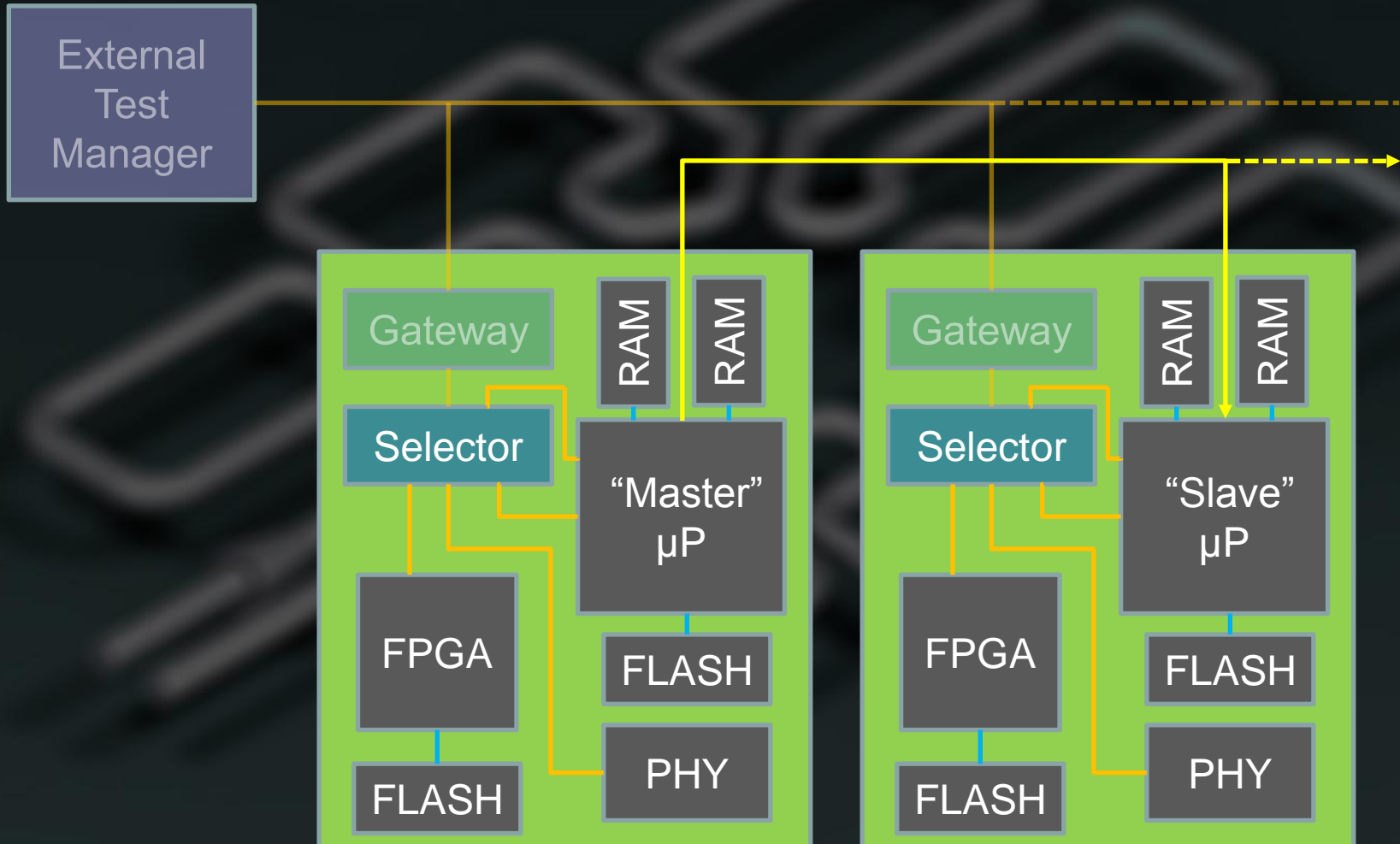
# Multidrop with BIST



# “Shelf Controller” Multidrop



# Delegating Controller



# Board Example

-- JTAG "Master"

-- "Local" chain

-- 1149.7 network

-- Misc. buses

